



Spoonflower

Free Patterns



Curved Face Mask

3 sizes: Child, Adult S/M & Adult M/L

Curved Face Mask

Featured Designs on Cover: *Pretty Dinos* by *kateherbertdesigns*, *A Nod to the House Bird* by *katerhees*,
Homegrown on Blue by *studiojenny*



WHAT YOU NEED

- 2 fat quarters* of quilting weight cotton
- 54" (137.2cm)** of twill tape or elastic sized to fit
- Free Mask Pattern
- Sewing machine
- Fabric scissors
- Pins or clips

*For this project we're using two different designs, one for the lining and one for the outer fabric. For a mask that uses the same fabric for your lining and outer fabric, you will only need one fat quarter.

**For a child we recommend 24" (71cm) of elastic and for an adult we recommend 26" (66cm) of elastic but we suggest testing the fit of the elastic before finalizing your length.

TO PRINT & ASSEMBLE PATTERN

- Printer paper
- Paper scissors
- Tape
- Printer

RECOMMENDED FABRIC

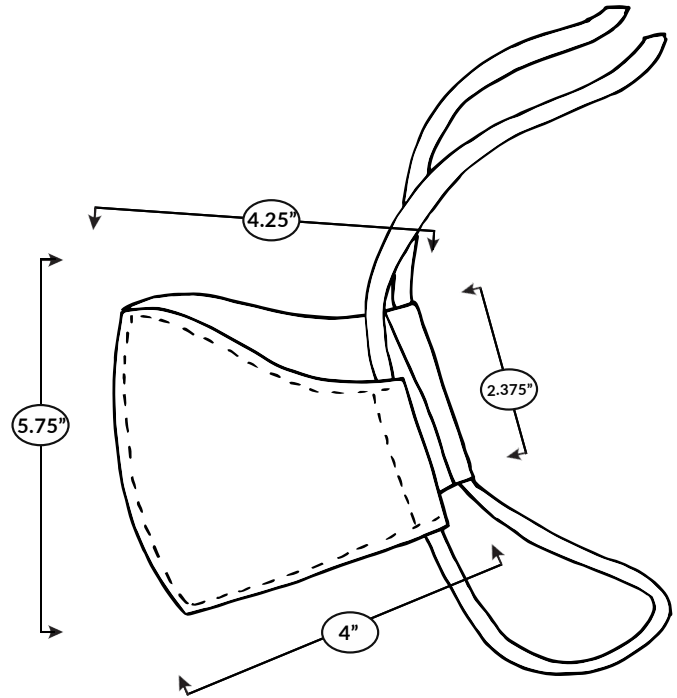
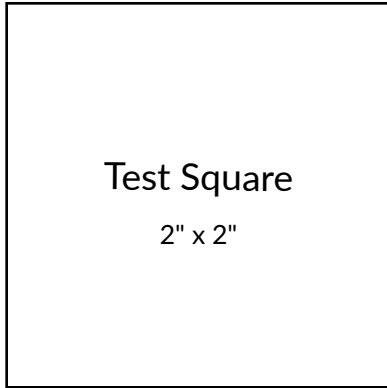
- Petal Signature Cotton™
- Cotton Poplin
- Organic Cotton Sateen

ADDITIONAL NOTES

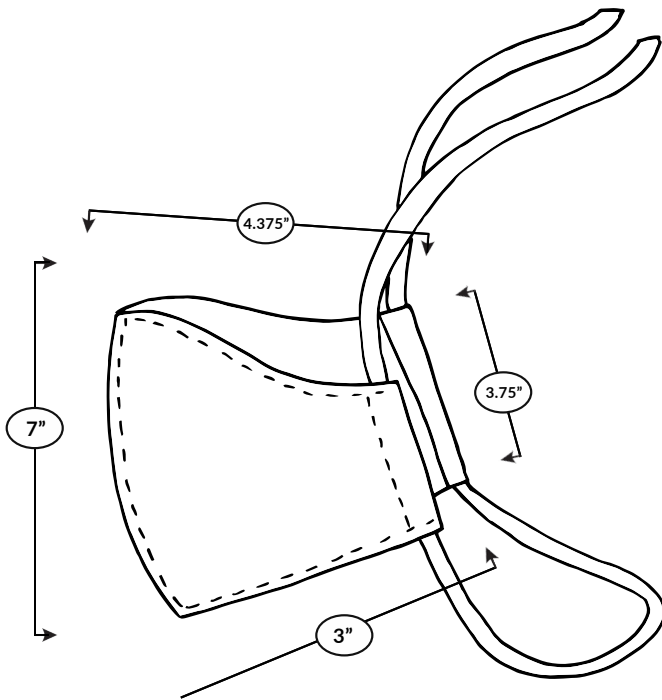
All seam allowances are ¼" (.6cm) unless otherwise noted.

Curved Face Mask

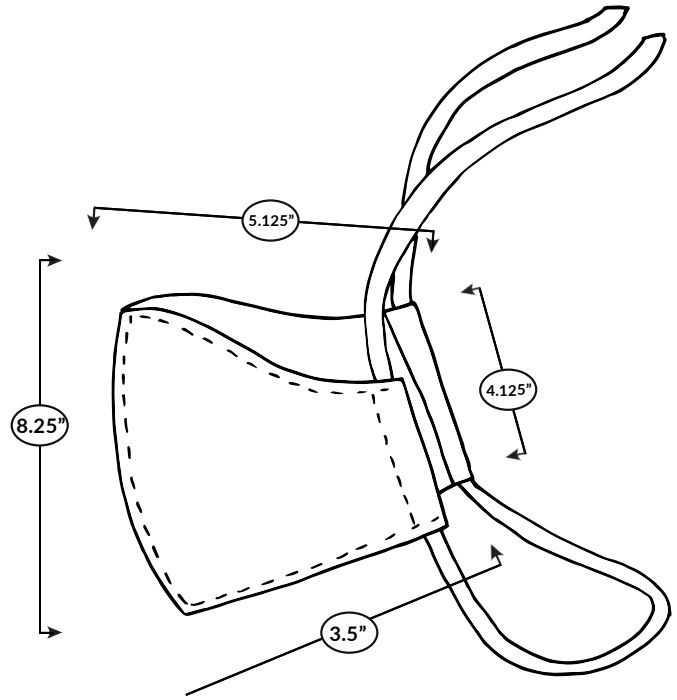
3 sizes: Child, Adult S/M & Adult M/L



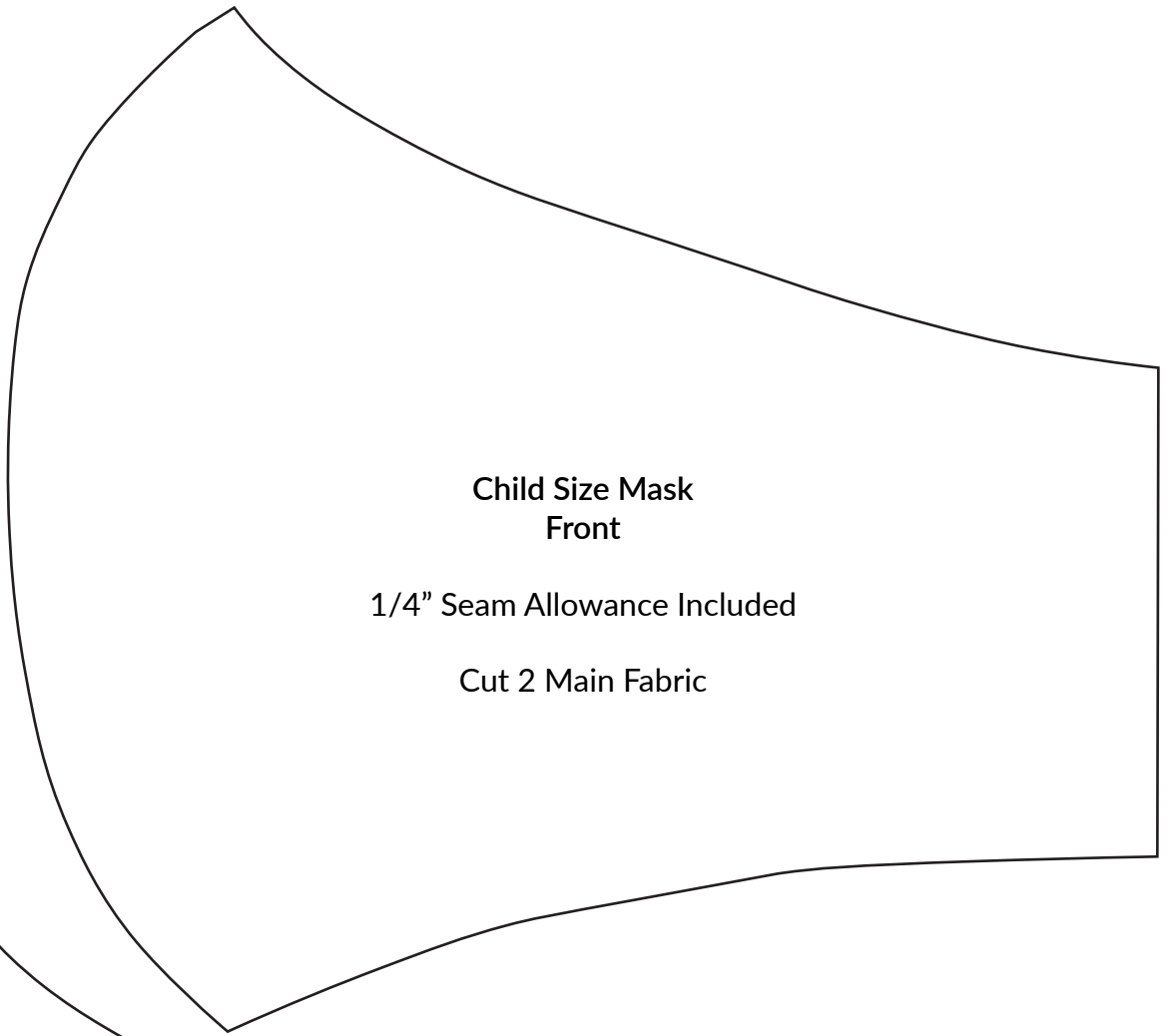
Child Finished Mask Dimensions



Adult S/M Finished Mask Dimensions



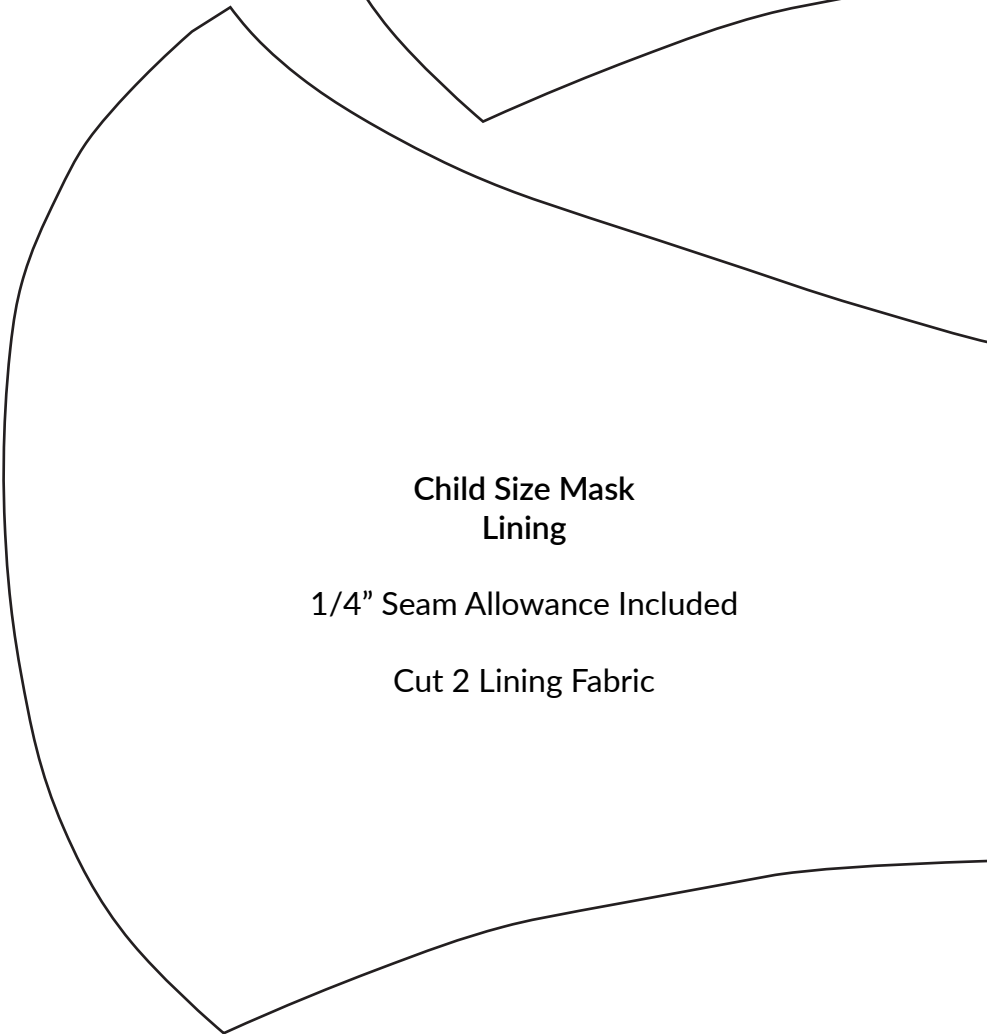
Adult M/L Finished Mask Dimensions



**Child Size Mask
Front**

1/4" Seam Allowance Included

Cut 2 Main Fabric



**Child Size Mask
Lining**

1/4" Seam Allowance Included

Cut 2 Lining Fabric



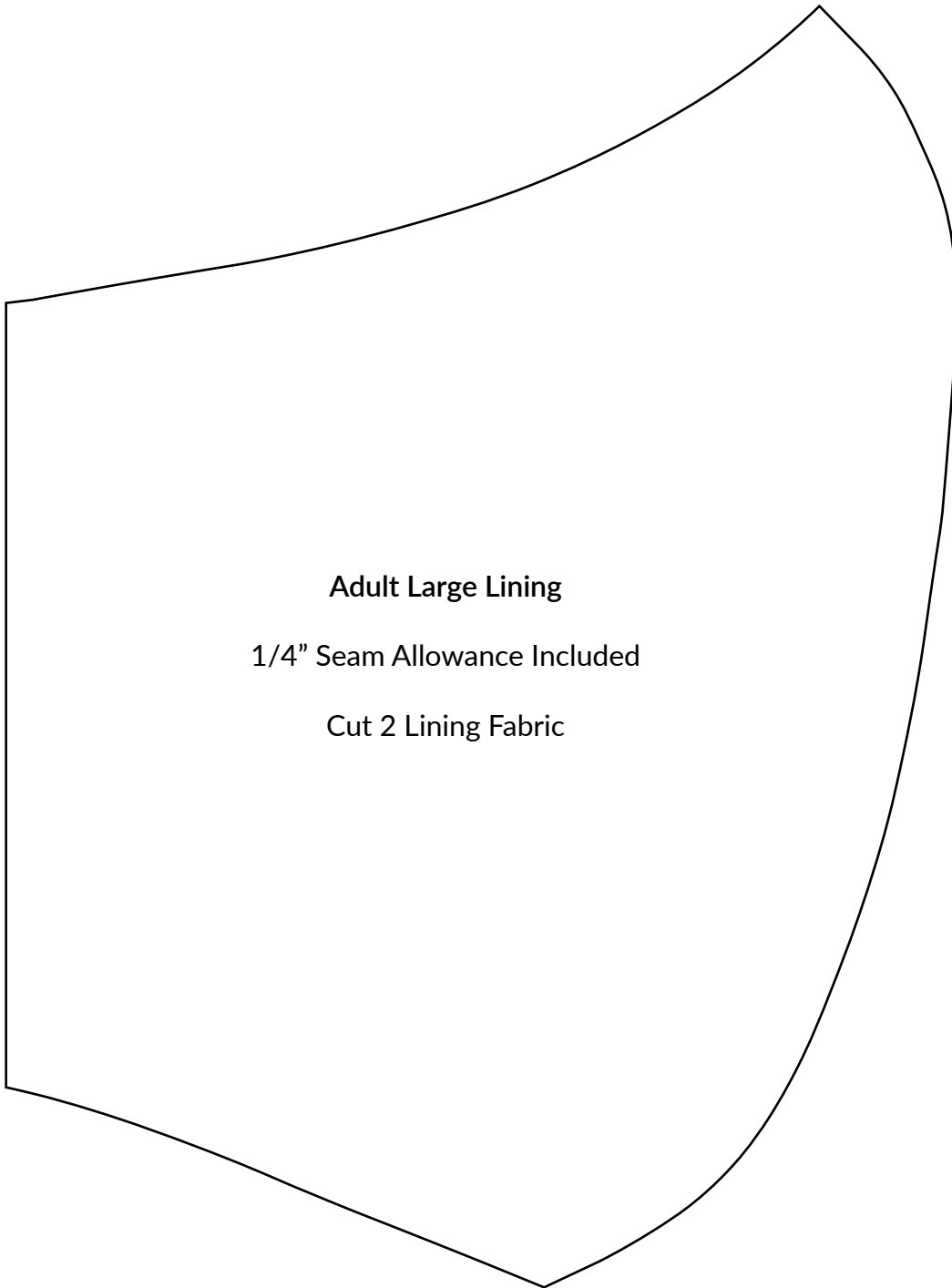
**Adult Small/Medium
Lining**

**1/4" Seam Allowance Included
Cut 2 Lining Fabric**



**Adult Small/Medium
Front**

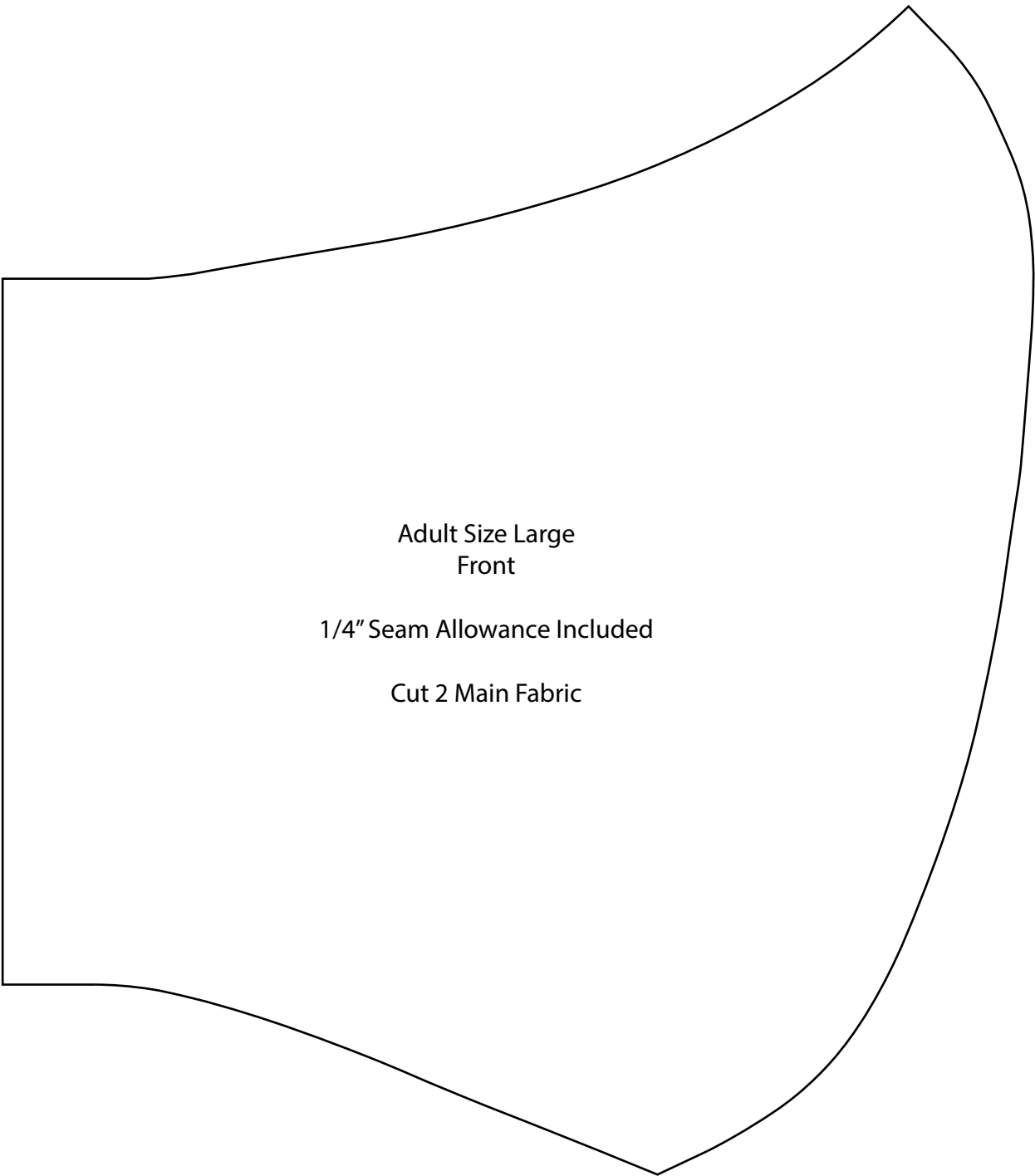
**1/4" Seam Allowance Included
Cut 2 Main Fabric**



Adult Large Lining

1/4" Seam Allowance Included

Cut 2 Lining Fabric



Adult Size Large
Front

1/4" Seam Allowance Included

Cut 2 Main Fabric